

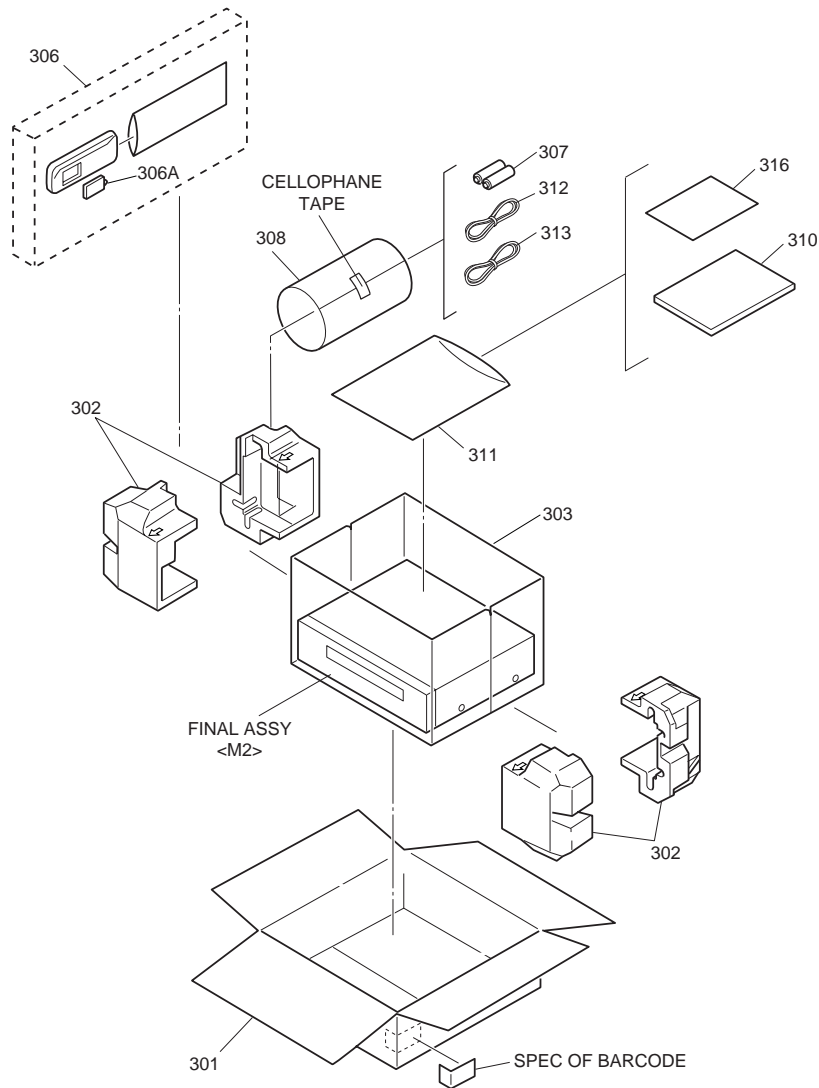
SECTION 5 PARTS LIST

SAFETY PRECAUTION

Parts identified by the \triangle symbol are critical for safety. Replace only with specified part numbers.

5.1 PACKING AND ACCESSORY ASSEMBLY <M1>

The instruction manual to be provided with this product will differ according to the destination.



| # \triangle | REF No. | PART No. | PART NAME, DESCRIPTION |
|---------------|---------|----------|------------------------|
| ***** | | | |

PACKING AND ACCESSORY ASSEMBLY <M1>

| | | |
|-----|--------------|-------------------|
| 301 | LP31005-002A | PACKING CASE |
| 302 | LP30355-001D | CUSHION ASSY |
| 303 | PQM30021-93 | POLY BAG |
| 306 | LP20878-008B | REMOTE CONTROLLER |

| # \triangle | REF No. | PART No. | PART NAME, DESCRIPTION |
|---------------|---------|--------------|------------------------|
| | 306A | LP40610-002A | COVER(BATTERY) |
| | 307 | - | BATTERY,X2 "AA" TYPE |
| | 308 | QPC02202230P | POLY BAG |
| \triangle | 310 | LPT0597-001A | INST.BOOK(KO) |
| | 311 | QPC02503530P | POLY BAG |
| | 312 | PEAC0294-04 | RF CABLE |
| | 313 | QAM0004-002 | S CABLE |
| | 316 | BT-56010-1 | WARRANTY CARD |

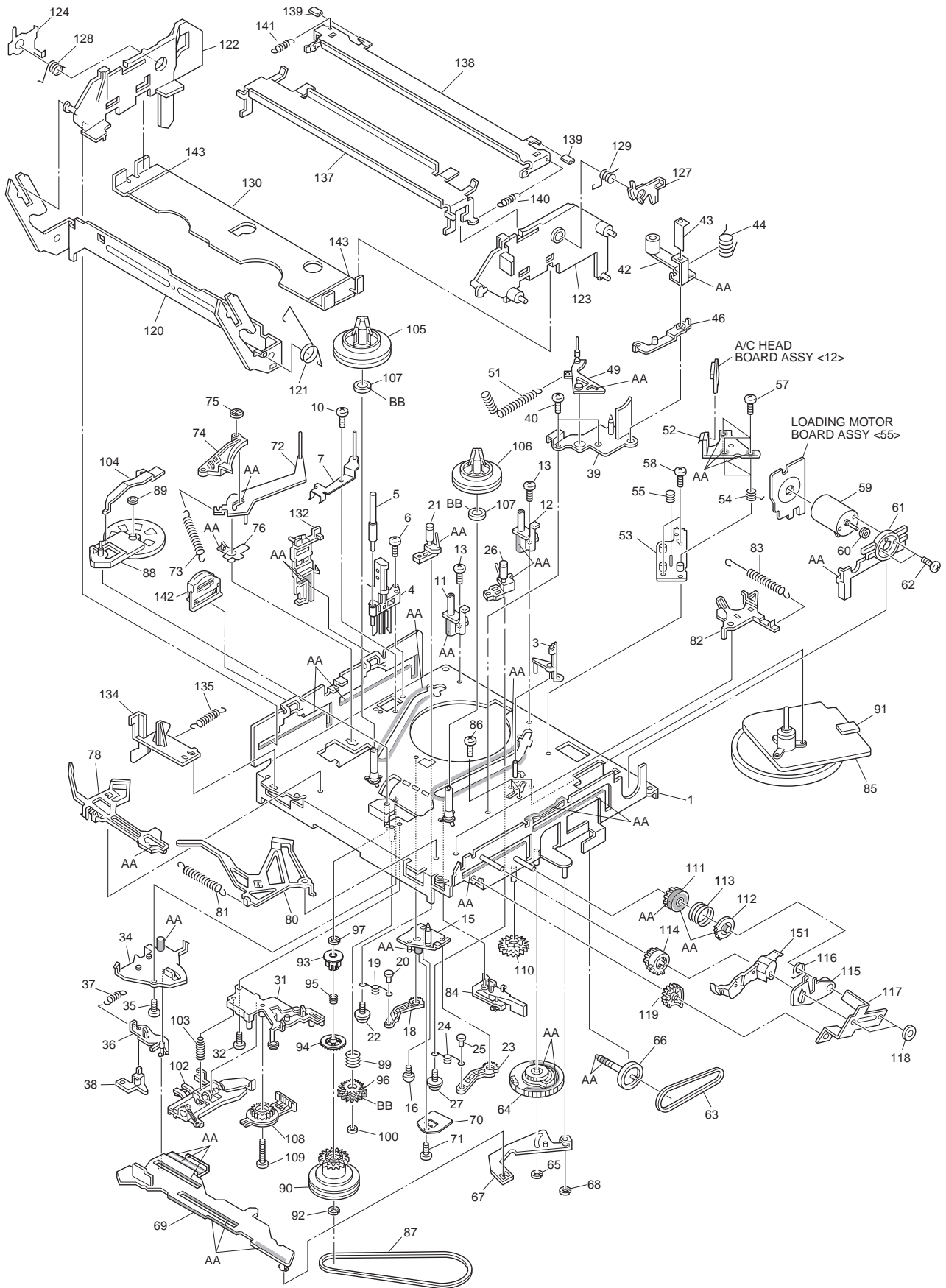
▲ REF No. PART No. PART NAME, DESCRIPTION

▲ REF No. PART No. PART NAME, DESCRIPTION

FINAL ASSEMBLY <M2>

| | | | |
|---|------|----------------|---------------------------|
| ▲ | 501 | LP10333-043C | FRONT PANEL ASSY |
| | 501A | LP20961-015B | CASSETTE DOOR |
| | 501B | PQ46448 | TORSION SPRING |
| ▲ | 502 | LP10013-045A | TOP COVER |
| | 503 | QYTDSF3010R | SCREW,X2, TOP COVER(SIDE) |
| | 504 | QYTDSF3010M | SCREW,TOP COVER(REAR) |
| | 505 | LP20981-010A | DRUM SUB ASSY |
| | 505E | LP40323-001A | CONTACT |
| | 505F | LP30004-014A | COMPRESSION SPRING |
| | 506 | PDZ0179-1-4 | ROTOR ASSY |
| | 507 | QYSPSP3006Z | SCREW,X2,ROTOR |
| ▲ | 508 | QAR0169-002 | STATOR ASSY |
| | 509 | QYSPSPH2606Z | SCREW,X2,STATOR |
| | 510 | QYTDST2610Z | SCREW,X3 DRUM |
| ▲ | 511 | LP10108-016E | BOTTOM CHASSIS |
| | 513 | LP30312-001B | BRACKET(CHASSIS) |
| | 514 | QYTDSF3010Z | SCREW,X2,BRACKET |
| | 515 | QYTDSF4012Z | SCREW,MECHA |
| | 516 | QYTDSF3010Z | SCREW,X2 MECHA |
| ▲ | 517 | QMPR260-170-JC | POWER CORD |
| | 518 | LP40369-001D | CLEANER ASSY |
| | 518A | PQ46418-1-2 | CLEANER ROLLER |
| | 518B | PQ46419-1-2 | CLEANER |
| | 518C | LP30407-001D | CLEANER ARM |
| | 519 | LP40407-001A | KNOB ASSY,S3002 |
| | 525 | PQ40413 | SPECIAL SCREW,MECHA |
| | 526 | LP30002-088B | SPACER,SHIELD FRAME |
| | 529 | LP31019-001C | KNOB ASSY,ADV.JOG |
| | 530 | QYTDSF3010Z | SCREW,MAIN |
| | 531 | QYTDSF2608Z | SCREW,X2,S JACK |
| | 532 | QYTPSFG2608Z | SCREW,X2,JOG |
| | WR1 | QUQ212-0518CG | FFC WIRE,DRUM |
| | WR2 | WJT0005-002A | E-CARD WIRE,A/C HEAD |
| | WR3 | QUQ112-0914CG | FFC WIRE,JOG(FSA) |
| | WR4 | WJT0026-001A | E-CARD WIRE,S(FSA) |

5.3 MECHANISM ASSEMBLY <M4>



| Classification | Part No. | Symbol in drawing |
|----------------|------------|-------------------|
| Grease | KYODO-SH-P | AA |
| Oil | COSMO-HV56 | BB |

NOTE:The section marked in AA and BB indicate lubrication and greasing areas.

| # | △ | REF No. | PART No. | PART NAME, DESCRIPTION | # | △ | REF No. | PART No. | PART NAME, DESCRIPTION |
|--------------------------------------|---|---------|--------------|---------------------------|-----|---|---------|--------------|---------------------------|
| ***** | | | | | | | | | |
| MECHANISM ASSEMBLY <M4> | | | | | | | | | |
| 1 | | | LP20821-006A | MAIN DECK ASSY | 75 | | | PQ46302-1-3 | ADJUST PIN |
| 3 | | | LP30492-002B | GUIDE POLE GUARD | 76 | | | LP30232-002A | TENSION ARM BEARING |
| 4 | | | NAH0001-001 | FULL ERASE HEAD | 78 | | | LP40532-008B | MAIN BRAKE ASSY (SUPPLY) |
| 5 | | | LP40098-001B | GUIDE POLE(SUPPLY) | 80 | | | LP40111-011A | MAIN BRAKE ASSY (TAKE UP) |
| 6 | | | QYTDST2608Z | SCREW,FE HEAD | 81 | | | LP30003-026A | TENSION SPRING |
| 7 | | | LP40637-002A | TENSION STUD BASE ASSY | 82 | | | LP40112-001F | SUB BRAKE ASSY(TAKE UP) |
| 10 | | | QYTDST2606Z | SCREW | 83 | | | LP40357-002A | TENSION SPRING |
| 11 | | | LP30409-002C | UV CATCHER 2 | 84 | | | LP40461-001A | CAPSTAN BRAKE ASSY |
| 12 | | | LP30409-002C | UV CATCHER 2 | 85 | | | QAR0087-005 | CAPSTAN MOTOR |
| 13 | | | QYTPST2606Z | SCREW,X2 | 86 | | | QYTDST2606M | SCREW,X3 |
| 15 | | | LP30223-003C | LOADING ARM GEAR SHAFT | 87 | | | LP30005-007A | BELT,CAPSTAN MOTOR |
| 16 | | | QYTDST2606Z | SCREW | 88 | | | LP40114-012A | IDLER ARM ASSY |
| 18 | | | LP30224-001B | LOADING ARM GEAR(SUPPLY) | 89 | | | LP40599-001A | WASHER |
| 19 | | | LP40099-001A | TORSION ARM | 90 | | | LP40593-001A | CLUTCH UNIT 3 |
| 20 | | | LP40100-001A | PIN | 91 | | | LP30002-097A | SPACER, CAPSTAN MOTOR |
| 21 | | | LP40101-006A | POLE BASE ASSY(SUPPLY) | 92 | | | PQM30017-47 | SLIT WASHER |
| 22 | | | QYSPSTG2606Z | SCREW | 93 | | | LP30696-002A | CLUTCH GEAR 4 |
| 23 | | | LP40103-002B | LOADING ARM GEAR(TAKE UP) | 94 | | | LP30697-003A | COUPLING GEAR |
| 24 | | | LP40099-001A | TORSION ARM | 95 | | | LP40554-002A | COMPRESSION SPRING |
| 25 | | | LP40100-002A | PIN | 96 | | | LP40442-001A | DIRECT GEAR |
| 26 | | | LP40104-006A | POLE BASE ASSY(TAKE UP) | 97 | | | LP30017-019A | SPACER |
| 27 | | | QYSPSTG2606Z | SCREW | 99 | | | LP40483-002A | COMPRESSION SPRING |
| 31 | | | LP20233-004B | ROTARY ENCODER GUIDE | 100 | | | LP30016-001A | SLIT WASHER |
| 32 | | | QYTPST2606Z | SCREW | 102 | | | LP40484-001J | CHANGE LEVER ASSY |
| 34 | | | LP30226-004E | CONTROL PLATE GUIDE | 103 | | | LP40512-002B | COMPRESSION SPRING |
| 35 | | | QYTPST2605Z | SCREW | 104 | | | LP30236-002C | IDLER LEVER |
| 36 | | | LP30249-003B | TAKE UP LEVER | 105 | | | LP20237-001B | REEL DISK (SUPPLY) |
| 37 | | | LP30003-006A | TENSION SPRING | 106 | | | LP20238-001B | REEL DISK (TAKE UP) |
| 38 | | | LP40119-002A | TAKE UP HEAD | 107 | | | LP30017-015A | SPACER,X2 |
| 39 | | | LP20234-004B | LID GUIDE | 108 | | | QSW0554-003 | ROTARY ENCODER |
| 40 | | | QYTDST2606Z | SCREW,X2 | 109 | | | QYTPST2620Z | SCREW |
| 42 | | | LP40105-003A | PINCH ROLLER ARM ASSY | 110 | | | LP30237-002B | CASSETTE GEAR |
| 43 | | | LP40753-001A | PINCH ROLLER SHEET3 | 111 | | | LP30239-002G | LIMIT GEAR(1) |
| 44 | | | LP40148-002A | TORSION SPRING | 112 | | | LP30240-002G | LIMIT GEAR(2) |
| 46 | | | LP40149-001C | PRESS LEVER ASSY | 113 | | | LP40136-001E | TORSION SPRING |
| 49 | | | LP40106-007A | GUIDE ARM ASSY | 114 | | | LP30242-002A | RELAY GEAR |
| 51 | | | LP40134-002A | TENSION SPRING | 115 | | | LP30339-002E | OPENER GUIDE |
| 52 | | | QAH0058-001 | AC HEAD | 116 | | | LP40545-001A | TORSION SPRING |
| 53 | | | LP30228-001C | HEAD BASE | 117 | | | LP40214-001B | C.H.BRACKET |
| 54 | | | LP30004-013A | COMPRESSION SPRING,X3 | 118 | | | PQM30017-47 | SLIT WASHER,X2 |
| 55 | | | LP40236-001A | COMPRESSION SPRING | 119 | | | LP30243-002A | DRIVE GEAR |
| 57 | | | LP40213-002B | SPECIAL SCREW,X3 | 120 | | | LP20240-001G | DRIVE ARM |
| 58 | | | QYTDST2608Z | SCREW,X2 | 121 | | | LP40137-001A | TORSION SPRING |
| 59 | | | QAR0023-001 | LOADING MOTOR | 122 | | | LP10081-002L | SIDE HOLDER(L) |
| 60 | | | PQ43546-1-2 | MOTOR PULLEY | 123 | | | LP10082-002M | SIDE HOLDER(R) |
| 61 | | | LP30230-001B | MOTOR GUIDE | 124 | | | LP30255-006A | LOCK LEVER(L) |
| 62 | | | QYTPSP3003Z | SCREW,X2 | 127 | | | LP30256-001H | LOCK LEVER(R) |
| 63 | | | LP30005-003A | BELT,LOADING MOTOR | 128 | | | LP40168-003A | TORSION SPRING(L) |
| 64 | | | LP20791-002D | CONTROL CAM | 129 | | | LP40218-001B | TORSION SPRING(R) |
| 65 | | | PQM30017-24 | SLIT WASHER | 130 | | | LP30257-001G | CASSETTE HOLDER |
| 66 | | | LP40120-001A | WORM GEAR | 132 | | | LP30244-002G | GUIDE RAIL |
| 67 | | | LP40107-002A | LINK LEVER ASSY | 134 | | | LP30245-002F | REC SAFETY LEVER |
| 68 | | | PQM30017-24 | SLIT WASHER | 135 | | | LP30003-004A | TENSION SPRING |
| 69 | | | LP10201-003G | CONTROL PLATE | 137 | | | LP20578-001C | TOP GUIDE |
| 70 | | | LP40379-001B | CONTROL BRACKET(1) | 138 | | | LP30500-001C | HOLD PLATE |
| 71 | | | QYTDST2608M | SCREW | 139 | | | LP40450-003A | PAD,X2 |
| 72 | | | LP40108-002A | TENSION ARM ASSY | 140 | | | LP30003-025B | TENSION SPRING |
| 73 | | | LP30003-010A | TENSION SPRING | 141 | | | LP30003-024A | TENSION SPRING |
| 74 | | | LP40109-003D | TENSION BRAKE ASSY | 142 | | | LP40481-003A | ROLLER CAM ASSY |
| | | | | | 143 | | | LP30019-014A | PAD,X2 |
| | | | | | 151 | | | LP20324-003B | DOOR OPENER |

5.4 ELECTRICAL PARTS LIST

| # | △ REF No. | PART No. | PART NAME, DESCRIPTION |
|---------------------------------------|-----------|--------------------|------------------------|
| ***** | | | |
| MAIN BOARD ASSEMBLY <03> | | | |
| PW1 | | LPA10141-03B1 | MAIN BOARD ASSY |
| IC1 | | JCP8050-NSA | IC |
| | | or JCP8050-MSA | IC |
| IC501 | | JCP8038 | IC |
| IC502 | | VC2076DP | IC |
| IC3001 | | MN101D02HWD | IC |
| | | or MN101DP02JAFWD | IC |
| IC3002 | | BA6956AN | IC |
| IC3003 | | IC-PST3423U-X | IC |
| IC3004 | | S-24C04BFJ-X | IC |
| | | or X24C04S | IC |
| | | or AT24C04N-10SC-X | IC |
| | | or BR24C04F-W-X | IC |
| | | or 24LC04B/SN-X | IC |
| IC5101 | | STR-G6551 | IC |
| IC5301 | | L5431 | IC |
| | | or MM1431AT | IC |
| | | or UTCTL431 | IC |
| IC7001 | | PT6312LQ | IC |
| | | or UPD16312GB/H/ | IC |
| IC7003 | | GP1U291Q | IR DETECT UNIT |
| | | or PIC-28143LJ | IR DETECT UNIT |
| | | or PIC-37143LJ | IR DETECT UNIT |
| | | or PNA4652M00YC | IR DETECT UNIT |
| Q1 | | 2SC4081/S/-X | TRANSISTOR |
| Q2 | | 2SC4081/S/-X | TRANSISTOR |
| Q3 | | 2SC4081/S/-X | TRANSISTOR |
| Q4 | | 2SC4081/S/-X | TRANSISTOR |
| Q7 | | 2SC4081/QRS/-X | TRANSISTOR |
| | | or 2PC4081/R/-X | TRANSISTOR |
| Q8 | | 2SC4081/QRS/-X | TRANSISTOR |
| | | or 2PC4081/R/-X | TRANSISTOR |
| Q9 | | 2SA1576A/QR/-X | TRANSISTOR |
| | | or 2PA1576/R/-X | TRANSISTOR |
| Q12 | | 2SA1576A/QR/-X | TRANSISTOR |
| | | or 2PA1576/R/-X | TRANSISTOR |
| Q17 | | DTC144WU | TRANSISTOR |
| | | or PDTC144WU | TRANSISTOR |
| | | or RN1309 | TRANSISTOR |
| | | or UN521E | TRANSISTOR |
| Q21 | | 2SA1576A/QR/-X | TRANSISTOR |
| | | or 2PA1576/R/-X | TRANSISTOR |
| Q33 | | DTC144WU | TRANSISTOR |
| | | or PDTC144WU | TRANSISTOR |
| | | or RN1309 | TRANSISTOR |
| | | or UN521E | TRANSISTOR |
| Q38 | | 2SC4081/QRS/-X | TRANSISTOR |
| | | or 2PC4081/R/-X | TRANSISTOR |
| Q901 | | 2SA1576A/QR/-X | TRANSISTOR |
| | | or 2PA1576/R/-X | TRANSISTOR |
| Q903 | | 2SA1576A/QR/-X | TRANSISTOR |
| | | or 2PA1576/R/-X | TRANSISTOR |
| Q904 | | 2SA1576A/QR/-X | TRANSISTOR |
| | | or 2PA1576/R/-X | TRANSISTOR |
| Q2001 | | 2SC4081/QRS/-X | TRANSISTOR |
| | | or 2PC4081/R/-X | TRANSISTOR |
| | | or 2SD1819A/QRS/-X | TRANSISTOR |

| # | △ REF No. | PART No. | PART NAME, DESCRIPTION |
|-------|-----------|--------------------|------------------------|
| Q2002 | | 2SC4081/QRS/-X | TRANSISTOR |
| | | or 2SD1819A/QRS/-X | TRANSISTOR |
| | | or 2PC4081/R/-X | TRANSISTOR |
| Q2003 | | DTA144WU | TRANSISTOR |
| | | or PDTA144WU | TRANSISTOR |
| | | or RN2309 | TRANSISTOR |
| | | or UN511E | TRANSISTOR |
| Q2051 | | 2SC4081/QRS/-X | TRANSISTOR |
| | | or 2SD1819A/QRS/-X | TRANSISTOR |
| | | or 2PC4081/R/-X | TRANSISTOR |
| Q2052 | | 2SA1576A/QR/-X | TRANSISTOR |
| | | or 2PA1576/R/-X | TRANSISTOR |
| | | or 2SB1218A/QR/-X | TRANSISTOR |
| Q2053 | | DTC144WU | TRANSISTOR |
| | | or PDTC144WU | TRANSISTOR |
| | | or RN1309 | TRANSISTOR |
| | | or UN521E | TRANSISTOR |
| Q2054 | | 2SA1576A/QR/-X | TRANSISTOR |
| | | or 2SB1218A/QR/-X | TRANSISTOR |
| | | or 2PA1576/R/-X | TRANSISTOR |
| Q2055 | | DTC144WU | TRANSISTOR |
| | | or PDTC144WU | TRANSISTOR |
| | | or RN1309 | TRANSISTOR |
| | | or UN521E | TRANSISTOR |
| Q2251 | | DTA144WU | TRANSISTOR |
| | | or PDTA144WU | TRANSISTOR |
| | | or RN2309 | TRANSISTOR |
| | | or UN511E | TRANSISTOR |
| Q3002 | | PTZ-NV16 | PHOTO TRANSISTOR |
| | | or PTZ-NV16A | PHOTO TRANSISTOR |
| Q3004 | | 2SD1819A/QRS/-X | TRANSISTOR |
| | | or 2SC4081/QRS/-X | TRANSISTOR |
| | | or 2PC4081/R/-X | TRANSISTOR |
| Q3005 | | UN521K | TRANSISTOR |
| | | or DTC114WU | TRANSISTOR |
| Q4001 | | UN5211 | TRANSISTOR |
| | | or RN1302 | TRANSISTOR |
| | | or DTC114EU | TRANSISTOR |
| | | or PDTC114EU | TRANSISTOR |
| Q4002 | | 2SD1819A/QRS/-X | TRANSISTOR |
| | | or 2PC4081/R/-X | TRANSISTOR |
| | | or 2SC4081/QRS/-X | TRANSISTOR |
| Q5302 | | 2SD2375/QP/ | TRANSISTOR |
| Q5303 | | 2SD1819A/RS/-X | TRANSISTOR |
| | | or 2SC4081/RS/-X | TRANSISTOR |
| | | or 2PC4081/R/-X | TRANSISTOR |
| Q5304 | | 2SD2144S/UV/-T | TRANSISTOR |
| Q5305 | | DTA114EU | TRANSISTOR |
| | | or PDTA114EU | TRANSISTOR |
| | | or UN5111 | TRANSISTOR |
| | | or RN2302 | TRANSISTOR |
| Q5306 | | DTC114EU | TRANSISTOR |
| | | or PDTC114EU | TRANSISTOR |
| | | or RN1302 | TRANSISTOR |
| | | or UN5211 | TRANSISTOR |
| Q6030 | | 2SB1218A/QR/-X | TRANSISTOR |
| | | or 2SA1576A/QR/-X | TRANSISTOR |
| | | or 2PA1576/R/-X | TRANSISTOR |
| D1 | | 1SS133 | DIODE |
| | | or 1SS270A | DIODE |
| D2 | | 1SS133 | DIODE |

| # | △ | REF No. | PART No. | PART NAME, DESCRIPTION | # | △ | REF No. | PART No. | PART NAME, DESCRIPTION |
|-------|---|---------|--------------------|------------------------|-------|---|----------------|------------------|------------------------|
| | | | or 1SS270A | DIODE | | | | or RD27ES/B3/-T2 | ZENER DIODE |
| D501 | | | 1SS355 | DIODE | D5310 | | 1SS133 | DIODE | |
| D2202 | | | MTZJ9.1B | ZENER DIODE | | | or 1SS270A | DIODE | |
| D3001 | | | LNB2301L01VI | LE DIODE | D6002 | | HZ30-2L-T2 | ZENER DIODE | |
| D3002 | | | 1SS133 | DIODE | | | or HZ30-2LTD | Z DIODE (M) | |
| | | | or 1SS270A | DIODE | D7001 | | RD9.1ES/B2/-T2 | ZENER DIODE | |
| D3004 | | | 11ES2 | DIODE | | | or MTZJ9.1B | ZENER DIODE | |
| | | | or 1A3G | DIODE | | | or UZ9.1BSB | ZENER DIODE | |
| D3005 | | | 11ES2 | DIODE | D7003 | | 1SS133 | DIODE | |
| | | | or 1A3G | DIODE | | | or 1SS270A | DIODE | |
| D3006 | | | RD33ES/B2/-T2 | ZENER DIODE | D7004 | | 1SS133 | DIODE | |
| | | | or MTZJ33B | ZENER DIODE | | | or 1SS270A | DIODE | |
| D3007 | | | 1SS355 | DIODE | D7005 | | 1SS133 | DIODE | |
| D3013 | | | DA204U | DIODE | | | or 1SS270A | DIODE | |
| D5001 | | | S1WB/A/60-4102 | BRIDGE DIODE | D7006 | | 1SS133 | DIODE | |
| | | | or S1WB/A/60-X | BRIDGE DIODE | | | or 1SS270A | DIODE | |
| | | | or S1WB(A)60F4072X | BRIDGE DIODE | D7008 | | SLR-325MC-T | LE DIODE | |
| D5101 | | | AU01 | FR DIODE | D7009 | | SLR-325VC-T | LE DIODE | |
| | | | or ERA18-04-T2 | FR DIODE | R1 | | NRVA02D-622X | CMF RESISTOR | 6.2kΩ,1/10W |
| | | | or 10ELS4 | FR DIODE | R2 | | NRVA02D-152X | CMF RESISTOR | 1.5kΩ,1/10W |
| | | | or 1SR153-400-T2 | FR DIODE | R3 | | NRSA02J-152X | MG RESISTOR | 1.5kΩ,1/10W |
| D5102 | | | AU01 | FR DIODE | R6 | | NRSA02J-103X | MG RESISTOR | 10kΩ,1/10W |
| | | | or ERA18-04-T2 | FR DIODE | R7 | | NRSA02J-102X | MG RESISTOR | 1kΩ,1/10W |
| | | | or 1SR153-400-T2 | FR DIODE | R8 | | NRSA02J-0R0X | MG RESISTOR | 0Ω,1/10W |
| | | | or 10ELS4 | FR DIODE | R9 | | NRSA02J-0R0X | MG RESISTOR | 0Ω,1/10W |
| D5103 | | | AU01Z | FR DIODE | R21 | | NRSA02J-102X | MG RESISTOR | 1kΩ,1/10W |
| | | | or ERA18-02-T2 | FR DIODE | R22 | | NRSA02J-102X | MG RESISTOR | 1kΩ,1/10W |
| | | | or PG104RS | FR DIODE | R25 | | NRSA02J-103X | MG RESISTOR | 10kΩ,1/10W |
| | | | or 10ELS2 | FR DIODE | R26 | | NRSA02J-822X | MG RESISTOR | 8.2kΩ,1/10W |
| | | | or 1SR153-400-T2 | FR DIODE | R27 | | NRSA02J-102X | MG RESISTOR | 1kΩ,1/10W |
| D5104 | | | QUY153-050Y | IM BUS WIRE | R28 | | NRSA02J-102X | MG RESISTOR | 1kΩ,1/10W |
| D5201 | | | AK04 | DIODE | R29 | | NRSA02J-222X | MG RESISTOR | 2.2kΩ,1/10W |
| | | | or 1S4 | SB DIODE | R31 | | NRSA02J-122X | MG RESISTOR | 1.2kΩ,1/10W |
| | | | or 11EQS04 | SB DIODE | R32 | | NRSA02J-102X | MG RESISTOR | 1kΩ,1/10W |
| D5203 | | | AU01Z | FR DIODE | R33 | | NDC21HJ-7R0X | CAPACITOR | 7pF,50V |
| | | | or 10ELS2 | FR DIODE | R34 | | NDC21HJ-270X | CAPACITOR | 27pF,50V |
| D5204 | | | AU01Z | FR DIODE | R36 | | NRSA02J-182X | MG RESISTOR | 1.8kΩ,1/10W |
| | | | or 10ELS2 | FR DIODE | R39 | | NRSA02J-0R0X | MG RESISTOR | 0Ω,1/10W |
| D5206 | | | FMB-24 | BARRIER DIODE | R42 | | NRSA02J-681X | MG RESISTOR | 680Ω,1/10W |
| | | | or FSQ05A04B | SB DIODE | R44 | | NRSA02J-223X | MG RESISTOR | 22kΩ,1/10W |
| | | | or YG801C04 | SB DIODE | R45 | | NRSA02J-333X | MG RESISTOR | 33kΩ,1/10W |
| | | | or SF5SC4 | SB DIODE | R46 | | NRSA02J-471X | MG RESISTOR | 470Ω,1/10W |
| | | | or SB640FCT | SB DIODE | R48 | | NRSA02J-102X | MG RESISTOR | 1kΩ,1/10W |
| D5210 | | | AU01Z | FR DIODE | R68 | | NRSA02J-222X | MG RESISTOR | 2.2kΩ,1/10W |
| | | | or ERA18-02-T2 | FR DIODE | R77 | | NRSA02J-103X | MG RESISTOR | 10kΩ,1/10W |
| | | | or PG104RS | FR DIODE | R90 | | NRSA02J-471X | MG RESISTOR | 470Ω,1/10W |
| | | | or 1SR153-400-T2 | FR DIODE | R93 | | NRSA02J-102X | MG RESISTOR | 1kΩ,1/10W |
| | | | or 10ELS2 | FR DIODE | R104 | | NRSA02J-682X | MG RESISTOR | 6.8kΩ,1/10W |
| D5211 | | | AU01Z | FR DIODE | R118 | | NRSA02J-0R0X | MG RESISTOR | 0Ω,1/10W |
| | | | or PG104RS | FR DIODE | R120 | | NRSA02J-103X | MG RESISTOR | 10kΩ,1/10W |
| | | | or 10ELS2 | FR DIODE | R201 | | NRSA02J-332X | MG RESISTOR | 3.3kΩ,1/10W |
| | | | or 1SR153-400-T2 | FR DIODE | R202 | | NRSA02J-222X | MG RESISTOR | 2.2kΩ,1/10W |
| | | | or ERA18-02-T2 | FR DIODE | R503 | | NRSA02J-221X | MG RESISTOR | 220Ω,1/10W |
| D5301 | | | MTZJ15C | ZENER DIODE | R504 | | NRSA02J-332X | MG RESISTOR | 3.3kΩ,1/10W |
| | | | or RD15ES/B3/-T2 | ZENER DIODE | R505 | | NRSA02J-392X | MG RESISTOR | 3.9kΩ,1/10W |
| D5302 | | | NRSA02J-0R0X | MG RESISTOR | R506 | | NRSA02J-391X | MG RESISTOR | 390Ω,1/10W |
| D5303 | | | RD5.1JS/B2/-T2 | ZENER DIODE | R507 | | NRSA02J-122X | MG RESISTOR | 1.2kΩ,1/10W |
| | | | or MA4051N/M/-T2 | ZENER DIODE | R508 | | NRSA02J-151X | MG RESISTOR | 150Ω,1/10W |
| D5304 | | | 1SS355 | DIODE | R509 | | NRSA02J-162X | MG RESISTOR | 1.6kΩ,1/10W |
| D5307 | | | QUY153-050Y | IM BUS WIRE | R510 | | NRVA02D-102X | CMF RESISTOR | 1kΩ,1/10W |
| D5309 | | | MTZJ27C | ZENER DIODE | R511 | | NRVA02D-471X | CMF RESISTOR | 470Ω,1/10W |

| # | △ REF No. | PART No. | PART NAME, DESCRIPTION | # | △ REF No. | PART No. | PART NAME, DESCRIPTION |
|-------|-----------|--------------|--------------------------|-------|-----------|--------------|-------------------------|
| R512 | | NRVA02D-102X | CMF RESISTOR 1kΩ,1/10W | R3018 | | NRSA02J-102X | MG RESISTOR 1kΩ,1/10W |
| R513 | | NRVA02D-152X | CMF RESISTOR 1.5kΩ,1/10W | R3019 | | NRSA02J-0R0X | MG RESISTOR 0Ω,1/10W |
| R514 | | NRVA02D-332X | CMF RESISTOR 3.3kΩ,1/10W | R3021 | | NRSA02J-102X | MG RESISTOR 1kΩ,1/10W |
| R515 | | NRVA02D-332X | CMF RESISTOR 3.3kΩ,1/10W | R3022 | | NRSA02J-102X | MG RESISTOR 1kΩ,1/10W |
| R901 | | NRSA02J-820X | MG RESISTOR 82Ω,1/10W | R3028 | | NRSA02J-102X | MG RESISTOR 1kΩ,1/10W |
| R902 | | NRSA02J-152X | MG RESISTOR 1.5kΩ,1/10W | R3035 | | NRSA02J-102X | MG RESISTOR 1kΩ,1/10W |
| R904 | | QRE123J-331X | RESISTOR 330Ω,1/2W | R3042 | | NRSA02J-0R0X | MG RESISTOR 0Ω,1/10W |
| R905 | | NRSA02J-101X | MG RESISTOR 100Ω,1/10W | R3058 | | NRSA02J-102X | MG RESISTOR 1kΩ,1/10W |
| R911 | | NRSA02J-750X | MG RESISTOR 75Ω,1/10W | R3060 | | NRSA02J-102X | MG RESISTOR 1kΩ,1/10W |
| R912 | | NRSA02J-750X | MG RESISTOR 75Ω,1/10W | R3078 | | NRSA02J-102X | MG RESISTOR 1kΩ,1/10W |
| R914 | | NRSA02J-750X | MG RESISTOR 75Ω,1/10W | R3088 | | NRSA02J-102X | MG RESISTOR 1kΩ,1/10W |
| R915 | | NRSA02J-750X | MG RESISTOR 75Ω,1/10W | R3090 | | NRSA02J-102X | MG RESISTOR 1kΩ,1/10W |
| R916 | | NRSA02J-750X | MG RESISTOR 75Ω,1/10W | R3094 | | NRSA02J-102X | MG RESISTOR 1kΩ,1/10W |
| R917 | | NRSA02J-750X | MG RESISTOR 75Ω,1/10W | R3096 | | NRSA02J-102X | MG RESISTOR 1kΩ,1/10W |
| R919 | | QRE123J-331X | RESISTOR 330Ω,1/2W | R3097 | | NRSA02J-102X | MG RESISTOR 1kΩ,1/10W |
| R920 | | NRSA02J-101X | MG RESISTOR 100Ω,1/10W | R3098 | | NRSA02J-102X | MG RESISTOR 1kΩ,1/10W |
| R921 | | NRSA02J-101X | MG RESISTOR 100Ω,1/10W | R3099 | | NRSA02J-102X | MG RESISTOR 1kΩ,1/10W |
| R922 | | QRE123J-331X | RESISTOR 330Ω,1/2W | R3201 | | NRSA02J-332X | MG RESISTOR 3.3kΩ,1/10W |
| R924 | | NRSA02J-750X | MG RESISTOR 75Ω,1/10W | R3206 | | NRSA02J-103X | MG RESISTOR 10kΩ,1/10W |
| R925 | | NRSA02J-750X | MG RESISTOR 75Ω,1/10W | R3207 | | NRSA02J-103X | MG RESISTOR 10kΩ,1/10W |
| R2001 | | NRSA02J-101X | MG RESISTOR 100Ω,1/10W | R3208 | | NRSA02J-103X | MG RESISTOR 10kΩ,1/10W |
| R2003 | | NRSA02J-101X | MG RESISTOR 100Ω,1/10W | R3209 | | QRE141J-181Y | RESISTOR 180Ω,1/4W |
| R2004 | | NRSA02J-332X | MG RESISTOR 3.3kΩ,1/10W | R3210 | | QRE141J-183Y | RESISTOR 18kΩ,1/4W |
| R2005 | | NRSA02J-0R0X | MG RESISTOR 0Ω,1/10W | R3211 | | NRSA02J-183X | MG RESISTOR 18kΩ,1/10W |
| R2006 | | NRSA02J-393X | MG RESISTOR 39kΩ,1/10W | R3212 | | NRSA02J-181X | MG RESISTOR 180Ω,1/10W |
| R2007 | | NRSA02J-393X | MG RESISTOR 39kΩ,1/10W | R3213 | | NRSA02J-273X | MG RESISTOR 27kΩ,1/10W |
| R2008 | | NRSA02J-123X | MG RESISTOR 12kΩ,1/10W | R3214 | | NRSA02J-181X | MG RESISTOR 180Ω,1/10W |
| R2009 | | NRSA02J-123X | MG RESISTOR 12kΩ,1/10W | R3215 | | NRSA02J-273X | MG RESISTOR 27kΩ,1/10W |
| R2010 | | NRSA02J-123X | MG RESISTOR 12kΩ,1/10W | R3216 | | QRE141J-474Y | RESISTOR 470kΩ,1/4W |
| R2013 | | NRSA02J-682X | MG RESISTOR 6.8kΩ,1/10W | R3217 | | NRSA02J-334X | MG RESISTOR 330kΩ,1/10W |
| R2014 | | NRSA02J-224X | MG RESISTOR 220kΩ,1/10W | R3218 | | NRSA02J-103X | MG RESISTOR 10kΩ,1/10W |
| R2015 | | NRSA02J-181X | MG RESISTOR 180Ω,1/10W | R3219 | | QRE141J-103Y | RESISTOR 10kΩ,1/4W |
| R2016 | | NRSA02J-473X | MG RESISTOR 47kΩ,1/10W | R3220 | | NRSA02J-103X | MG RESISTOR 10kΩ,1/10W |
| R2017 | | NRSA02J-153X | MG RESISTOR 15kΩ,1/10W | R3221 | | NRSA02J-562X | MG RESISTOR 5.6kΩ,1/10W |
| R2018 | | NRSA02J-472X | MG RESISTOR 4.7kΩ,1/10W | R3222 | | NRSA02J-472X | MG RESISTOR 4.7kΩ,1/10W |
| R2019 | | NRSA02J-472X | MG RESISTOR 4.7kΩ,1/10W | R3223 | | NRSA02J-105X | MG RESISTOR 1MΩ,1/10W |
| R2053 | | NRSA02J-472X | MG RESISTOR 4.7kΩ,1/10W | R3224 | | NRSA02J-101X | MG RESISTOR 100Ω,1/10W |
| R2054 | | NRSA02J-123X | MG RESISTOR 12kΩ,1/10W | R3226 | | NRSA02J-472X | MG RESISTOR 4.7kΩ,1/10W |
| R2055 | | NRSA02J-3R3X | MG RESISTOR 3.3Ω,1/10W | R3227 | | NRSA02J-472X | MG RESISTOR 4.7kΩ,1/10W |
| R2056 | | QRE141J-820Y | RESISTOR 82Ω,1/4W | R3232 | | NRSA02J-104X | MG RESISTOR 100kΩ,1/10W |
| R2057 | | NRSA02J-473X | MG RESISTOR 47kΩ,1/10W | R3233 | | NRSA02J-472X | MG RESISTOR 4.7kΩ,1/10W |
| R2058 | | NRSA02J-183X | MG RESISTOR 18kΩ,1/10W | R3234 | | QRE141J-472Y | RESISTOR 4.7kΩ,1/4W |
| R2059 | | NRSA02J-473X | MG RESISTOR 47kΩ,1/10W | R3236 | | NRSA02J-103X | MG RESISTOR 10kΩ,1/10W |
| R2060 | | NRSA02J-183X | MG RESISTOR 18kΩ,1/10W | R3237 | | NRSA02J-103X | MG RESISTOR 10kΩ,1/10W |
| R2201 | | NRSA02J-680X | MG RESISTOR 68Ω,1/10W | R3238 | | NRSA02J-103X | MG RESISTOR 10kΩ,1/10W |
| R2204 | | NRSA02J-0R0X | MG RESISTOR 0Ω,1/10W | R3240 | | NRSA02J-103X | MG RESISTOR 10kΩ,1/10W |
| R2205 | | NRSA02J-0R0X | MG RESISTOR 0Ω,1/10W | R3241 | | NRSA02J-103X | MG RESISTOR 10kΩ,1/10W |
| R2206 | | NRSA02J-101X | MG RESISTOR 100Ω,1/10W | R3243 | | QRE141J-103Y | RESISTOR 10kΩ,1/4W |
| R2207 | | NRSA02J-332X | MG RESISTOR 3.3kΩ,1/10W | R3244 | | NRSA02J-103X | MG RESISTOR 10kΩ,1/10W |
| R2217 | | NRSA02J-0R0X | MG RESISTOR 0Ω,1/10W | R4001 | | NRSA02J-222X | MG RESISTOR 2.2kΩ,1/10W |
| R2218 | | NRSA02J-393X | MG RESISTOR 39kΩ,1/10W | R4002 | | NRSA02J-562X | MG RESISTOR 5.6kΩ,1/10W |
| R2219 | | NRSA02J-393X | MG RESISTOR 39kΩ,1/10W | R4003 | | NRSA02J-222X | MG RESISTOR 2.2kΩ,1/10W |
| R2222 | | NRSA02J-123X | MG RESISTOR 12kΩ,1/10W | R4006 | | NRSA02J-272X | MG RESISTOR 2.7kΩ,1/10W |
| R2223 | | NRSA02J-123X | MG RESISTOR 12kΩ,1/10W | R4010 | | NRSA02J-471X | MG RESISTOR 470Ω,1/10W |
| R2224 | | NRSA02J-123X | MG RESISTOR 12kΩ,1/10W | R4011 | | NRSA02J-471X | MG RESISTOR 470Ω,1/10W |
| R2232 | | NRSA02J-680X | MG RESISTOR 68Ω,1/10W | R4012 | | NRSA02J-153X | MG RESISTOR 15kΩ,1/10W |
| R2251 | | QRE141J-102Y | RESISTOR 1kΩ,1/4W | R4018 | | NRSA02J-103X | MG RESISTOR 10kΩ,1/10W |
| R3003 | | NRSA02J-102X | MG RESISTOR 1kΩ,1/10W | R4019 | | NRSA02J-102X | MG RESISTOR 1kΩ,1/10W |
| R3005 | | NRSA02J-102X | MG RESISTOR 1kΩ,1/10W | R4020 | | NRSA02J-102X | MG RESISTOR 1kΩ,1/10W |
| R3014 | | NRSA02J-102X | MG RESISTOR 1kΩ,1/10W | R4021 | | NRSA02J-103X | MG RESISTOR 10kΩ,1/10W |
| R3017 | | NRSA02J-102X | MG RESISTOR 1kΩ,1/10W | R4024 | | QRE141J-103Y | RESISTOR 10kΩ,1/4W |

| # | △ | REF No. | PART No. | PART NAME, DESCRIPTION | # | △ | REF No. | PART No. | PART NAME, DESCRIPTION |
|---------|---|---------|--------------|--------------------------|-------|---|---------|--------------|------------------------|
| R5101 | | | QRG02GJ-104 | OMF RESISTOR 100kΩ,2W | B6551 | | | QUY160-080Y | IM BUS WIRE |
| R5102 | | | QRE141J-4R7Y | RESISTOR 4.7Ω,1/4W | B7002 | | | NRSA02J-0R0X | MG RESISTOR 0Ω,1/10W |
| R5103 | | | NRSA02J-681X | MG RESISTOR 680Ω,1/10W | B7003 | | | NRSA02J-0R0X | MG RESISTOR 0Ω,1/10W |
| R5104 | | | QRG02GJ-683 | OMF RESISTOR 68kΩ,2W | B7004 | | | NRSA02J-0R0X | MG RESISTOR 0Ω,1/10W |
| R5105 | | | QRT01DJ-R47X | MF RESISTOR 0.47Ω,1W | B7005 | | | NRSA02J-0R0X | MG RESISTOR 0Ω,1/10W |
| R5106 | | | NRSA02J-562X | MG RESISTOR 5.6kΩ,1/10W | B7006 | | | NRSA02J-0R0X | MG RESISTOR 0Ω,1/10W |
| R5301 | | | NRSA02J-472X | MG RESISTOR 4.7kΩ,1/10W | B7007 | | | NRSA02J-0R0X | MG RESISTOR 0Ω,1/10W |
| R5302 | | | NRSA02J-102X | MG RESISTOR 1kΩ,1/10W | B7013 | | | QUY160-060Y | IM BUS WIRE |
| R5303 | | | NRSA02J-122X | MG RESISTOR 1.2kΩ,1/10W | B7020 | | | NRSA02J-0R0X | MG RESISTOR 0Ω,1/10W |
| R5304 | | | NRSA02J-471X | MG RESISTOR 470Ω,1/10W | B7022 | | | NRSA02J-0R0X | MG RESISTOR 0Ω,1/10W |
| R5305 | | | NRSA02J-102X | MG RESISTOR 1kΩ,1/10W | C1 | | | NCB21HK-103X | CAPACITOR 0.01μF,50V |
| R5306 | | | NRSA02J-471X | MG RESISTOR 470Ω,1/10W | C2 | | | NCB21HK-103X | CAPACITOR 0.01μF,50V |
| R5308 | | | NRSA02J-471X | MG RESISTOR 470Ω,1/10W | C3 | | | NCB21HK-103X | CAPACITOR 0.01μF,50V |
| R5309 | | | NRSA02J-103X | MG RESISTOR 10kΩ,1/10W | C4 | | | NCB21HK-103X | CAPACITOR 0.01μF,50V |
| R5310 | | | NRSA02J-471X | MG RESISTOR 470Ω,1/10W | C5 | | | QEKJ0JM-476 | E CAPACITOR 47μF,6.3V |
| R5311 | | | NRSA02J-473X | MG RESISTOR 47kΩ,1/10W | C7 | | | NDC21HJ-151X | CAPACITOR 150pF,50V |
| R5312 | | | NRVA02D-332X | CMF RESISTOR 3.3kΩ,1/10W | C8 | | | NCB21EK-104X | CAPACITOR 0.1μF,25V |
| R5313 | | | NRVA02D-332X | CMF RESISTOR 3.3kΩ,1/10W | C9 | | | NCB21HK-103X | CAPACITOR 0.01μF,50V |
| R5314 | | | NRSA02J-103X | MG RESISTOR 10kΩ,1/10W | C10 | | | NDC21HG-151X | CAPACITOR 150pF,50V |
| R5316 | | | NRVA02D-103X | CMF RESISTOR 10kΩ,1/10W | C11 | | | NCB21EK-104X | CAPACITOR 0.1μF,25V |
| △ R5318 | | | QRZ9005-221X | FUSI RESISTOR 220Ω,1/4W | C12 | | | NDC21HJ-7R0X | CAPACITOR 7pF,50V |
| R5326 | | | QRE141J-2R2Y | RESISTOR 2.2Ω,1/4W | C14 | | | NCB21EK-104X | CAPACITOR 0.1μF,25V |
| R6020 | | | NRSA02J-102X | MG RESISTOR 1kΩ,1/10W | C15 | | | NCB21HK-103X | CAPACITOR 0.01μF,50V |
| R6021 | | | NRSA02J-102X | MG RESISTOR 1kΩ,1/10W | C16 | | | NCB21EK-104X | CAPACITOR 0.1μF,25V |
| R6030 | | | NRSA02J-332X | MG RESISTOR 3.3kΩ,1/10W | C17 | | | QEKJ1HM-335 | E CAPACITOR 3.3μF,50V |
| R6031 | | | NRSA02J-101X | MG RESISTOR 100Ω,1/10W | C19 | | | QEKJ0JM-336 | E CAPACITOR 33μF,6.3V |
| R6050 | | | QRE141J-330Y | RESISTOR 33Ω,1/4W | C20 | | | QEKJ1HM-105 | E CAPACITOR 1μF,50V |
| R6051 | | | QRE141J-102Y | RESISTOR 1kΩ,1/4W | C21 | | | NCB21EK-104X | CAPACITOR 0.1μF,25V |
| R6508 | | | QUY153-050Y | IM BUS WIRE | C22 | | | QEKJ0JM-476 | E CAPACITOR 47μF,6.3V |
| R6510 | | | NRSA02J-0R0X | MG RESISTOR 0Ω,1/10W | C23 | | | NCB21HK-103X | CAPACITOR 0.01μF,50V |
| R7001 | | | NRSA02J-103X | MG RESISTOR 10kΩ,1/10W | C24 | | | NCB21EK-104X | CAPACITOR 0.1μF,25V |
| R7002 | | | NRSA02J-103X | MG RESISTOR 10kΩ,1/10W | C25 | | | NDC21HJ-4R0X | CAPACITOR 4pF,50V |
| R7003 | | | NRSA02J-103X | MG RESISTOR 10kΩ,1/10W | C26 | | | NCB21HK-103X | CAPACITOR 0.01μF,50V |
| R7004 | | | NRSA02J-103X | MG RESISTOR 10kΩ,1/10W | C27 | | | NCB21HK-223X | CAPACITOR 0.022μF,50V |
| R7005 | | | NRSA02J-472X | MG RESISTOR 4.7kΩ,1/10W | C28 | | | QEKJ1HM-335 | E CAPACITOR 3.3μF,50V |
| R7006 | | | NRSA02J-471X | MG RESISTOR 470Ω,1/10W | C29 | | | NCB21HK-472X | CAPACITOR 0.0047μF,50V |
| R7007 | | | NRSA02J-103X | MG RESISTOR 10kΩ,1/10W | C30 | | | QEKJ1HM-474 | E CAPACITOR 0.47μF,50V |
| R7008 | | | NRSA02J-563X | MG RESISTOR 56kΩ,1/10W | C31 | | | QEKJ0JM-476 | E CAPACITOR 47μF,6.3V |
| R7009 | | | QRE141J-103Y | RESISTOR 10kΩ,1/4W | C32 | | | QCB1HK-103 | CAPACITOR 0.01μF,50V |
| R7011 | | | NRSA02J-333X | MG RESISTOR 33kΩ,1/10W | C33 | | | QEKJ1HM-225 | E CAPACITOR 2.2μF,50V |
| R7012 | | | QRE141J-333Y | RESISTOR 33kΩ,1/4W | C34 | | | NCB21EK-104X | CAPACITOR 0.1μF,25V |
| R7013 | | | NRSA02J-333X | MG RESISTOR 33kΩ,1/10W | C35 | | | NCB21EK-104X | CAPACITOR 0.1μF,25V |
| R7014 | | | NRSA02J-333X | MG RESISTOR 33kΩ,1/10W | C36 | | | QEKJ1HM-475 | E CAPACITOR 4.7μF,50V |
| R7015 | | | NRSA02J-472X | MG RESISTOR 4.7kΩ,1/10W | C37 | | | QEKJ1HM-105 | E CAPACITOR 1μF,50V |
| R7016 | | | NRSA02J-103X | MG RESISTOR 10kΩ,1/10W | C38 | | | QEKJ0JM-476 | E CAPACITOR 47μF,6.3V |
| R7017 | | | NRSA02J-331X | MG RESISTOR 330Ω,1/10W | C39 | | | NCB21HK-103X | CAPACITOR 0.01μF,50V |
| R7018 | | | NRSA02J-331X | MG RESISTOR 330Ω,1/10W | C40 | | | QEKJ1EM-106 | E CAPACITOR 10μF,25V |
| R7022 | | | NRSA02J-0R0X | MG RESISTOR 0Ω,1/10W | C54 | | | NCB21HK-103X | CAPACITOR 0.01μF,50V |
| R7026 | | | QUY160-100Y | IM BUS WIRE | C57 | | | NCB21HK-103X | CAPACITOR 0.01μF,50V |
| R7035 | | | NRSA02J-0R0X | MG RESISTOR 0Ω,1/10W | C59 | | | NCB21HK-103X | CAPACITOR 0.01μF,50V |
| B3 | | | NRSA02J-0R0X | MG RESISTOR 0Ω,1/10W | C60 | | | QEKJ0JM-476 | E CAPACITOR 47μF,6.3V |
| B8 | | | NRSA02J-0R0X | MG RESISTOR 0Ω,1/10W | C61 | | | NCB21HK-103X | CAPACITOR 0.01μF,50V |
| B11 | | | NRSA02J-0R0X | MG RESISTOR 0Ω,1/10W | C63 | | | NCB21EK-104X | CAPACITOR 0.1μF,25V |
| B33 | | | NRSA02J-0R0X | MG RESISTOR 0Ω,1/10W | C64 | | | NDC21HJ-120X | CAPACITOR 12pF,50V |
| B43 | | | NRSA02J-0R0X | MG RESISTOR 0Ω,1/10W | C69 | | | NCB21HK-103X | CAPACITOR 0.01μF,50V |
| B2051 | | | QUY153-050Y | IM BUS WIRE | C70 | | | NCB21HK-103X | CAPACITOR 0.01μF,50V |
| B5301 | | | NRSA02J-0R0X | MG RESISTOR 0Ω,1/10W | C71 | | | NCB21HK-103X | CAPACITOR 0.01μF,50V |
| B5303 | | | NRSA02J-0R0X | MG RESISTOR 0Ω,1/10W | C72 | | | NDC21HJ-470X | CAPACITOR 47pF,50V |
| B5304 | | | NRSA02J-0R0X | MG RESISTOR 0Ω,1/10W | C73 | | | NDC21HJ-120X | CAPACITOR 12pF,50V |
| B6020 | | | NRSA02J-0R0X | MG RESISTOR 0Ω,1/10W | C74 | | | NDC21HJ-120X | CAPACITOR 12pF,50V |
| B6550 | | | QUY160-080Y | IM BUS WIRE | C80 | | | NCB21HK-103X | CAPACITOR 0.01μF,50V |

| # | △ REF No. | PART No. | PART NAME, DESCRIPTION | # | △ REF No. | PART No. | PART NAME, DESCRIPTION |
|------|-----------|--------------|-------------------------|-------|-----------|--------------|-------------------------|
| C84 | | NRSA02J-822X | MG RESISTOR 8.2kΩ,1/10W | C2001 | | QEKJ1HM-475 | E CAPACITOR 4.7μF,50V |
| C110 | | NCB21HK-331X | CAPACITOR 330pF,50V | C2002 | | QEKJ1EM-106 | E CAPACITOR 10μF,25V |
| C137 | | NCB21HK-103X | CAPACITOR 0.01μF,50V | C2003 | | QEKJ0JM-476 | E CAPACITOR 47μF,6.3V |
| C201 | | QEKJ0JM-476 | E CAPACITOR 47μF,6.3V | C2005 | | QEKJ1HM-475 | E CAPACITOR 4.7μF,50V |
| C202 | | NCB21EK-104X | CAPACITOR 0.1μF,25V | C2006 | | NCB21HK-123X | CAPACITOR 0.012μF,50V |
| C203 | | QEKJ1HM-105 | E CAPACITOR 1μF,50V | C2007 | | QEKJ1CM-226 | E CAPACITOR 22μF,16V |
| C205 | | NDC21HJ-101X | CAPACITOR 100pF,50V | C2008 | | QEKJ1HM-475 | E CAPACITOR 4.7μF,50V |
| C207 | | NCF21CZ-105X | CAPACITOR 1μF,16V | C2009 | | NCB21HK-102X | CAPACITOR 0.001μF,50V |
| C220 | | NDC21HJ-101X | CAPACITOR 100pF,50V | C2010 | | NCB21HK-152X | CAPACITOR 0.0015μF,50V |
| C501 | | QEKJ1HM-225 | E CAPACITOR 2.2μF,50V | C2011 | | QEKJ1HM-475 | E CAPACITOR 4.7μF,50V |
| C502 | | QEKJ1HM-104 | E CAPACITOR 0.1μF,50V | C2012 | | QEKJ1HM-475 | E CAPACITOR 4.7μF,50V |
| C503 | | QEKJ1HM-225 | E CAPACITOR 2.2μF,50V | C2051 | | NCB21HK-331X | CAPACITOR 330pF,50V |
| C504 | | NCB21EK-104X | CAPACITOR 0.1μF,25V | C2052 | | QFLC1HJ-823Z | F CAPACITOR 0.082μF,50V |
| C505 | | QEKJ1EM-475 | E CAPACITOR 4.7μF,25V | C2053 | | NCB21HK-472X | CAPACITOR 0.0047μF,50V |
| C506 | | NCB21HK-103X | CAPACITOR 0.01μF,50V | C2054 | | NCB21EK-223X | CAPACITOR 0.022μF,25V |
| C507 | | QEKJ0JM-476 | E CAPACITOR 47μF,6.3V | C2055 | | QEKJ1EM-106 | E CAPACITOR 10μF,25V |
| C508 | | QEKJ1HM-474 | E CAPACITOR 0.47μF,50V | C2201 | | NCB21EK-104X | CAPACITOR 0.1μF,25V |
| C509 | | QEKJ1CM-106 | E CAPACITOR 10μF,16V | C2202 | | NCB21EK-333X | CAPACITOR 0.033μF,25V |
| C510 | | QEKJ0JM-476 | E CAPACITOR 47μF,6.3V | C2203 | | QEKJ1EM-106 | E CAPACITOR 10μF,25V |
| C511 | | NCB21HK-103X | CAPACITOR 0.01μF,50V | C2204 | | NCB21HK-102X | CAPACITOR 0.001μF,50V |
| C512 | | NCB21HK-103X | CAPACITOR 0.01μF,50V | C2205 | | QEKJ1HM-105 | E CAPACITOR 1μF,50V |
| C513 | | QEKJ1EM-475 | E CAPACITOR 4.7μF,25V | C2206 | | QEKJ1EM-106 | E CAPACITOR 10μF,25V |
| C514 | | NCB21HK-103X | CAPACITOR 0.01μF,50V | C2207 | | QEKJ1CM-476 | E CAPACITOR 47μF,16V |
| C515 | | QCB1HK-103 | CAPACITOR 0.01μF,50V | C2208 | | QEKJ1HM-475 | E CAPACITOR 4.7μF,50V |
| C516 | | NCB21HK-103X | CAPACITOR 0.01μF,50V | C2209 | | QEKJ1HM-104 | E CAPACITOR 0.1μF,50V |
| C517 | | NCB21HK-103X | CAPACITOR 0.01μF,50V | C2210 | | QEKJ1HM-104 | E CAPACITOR 0.1μF,50V |
| C518 | | NCB21EK-104X | CAPACITOR 0.1μF,25V | C2215 | | QEKJ1HM-475 | E CAPACITOR 4.7μF,50V |
| C519 | | QERF1HM-225 | E CAPACITOR 2.2μF,50V | C2217 | | QEKJ1EM-106 | E CAPACITOR 10μF,25V |
| C520 | | QERF1EM-475 | E CAPACITOR 4.7μF,25V | C2219 | | QEKJ1EM-106 | E CAPACITOR 10μF,25V |
| C521 | | QEKJ1EM-475 | E CAPACITOR 4.7μF,25V | C2220 | | QEKJ1HM-475 | E CAPACITOR 4.7μF,50V |
| C522 | | QEKJ1HM-225 | E CAPACITOR 2.2μF,50V | C2221 | | NCB21HK-103X | CAPACITOR 0.01μF,50V |
| C523 | | QEKJ1HM-225 | E CAPACITOR 2.2μF,50V | C2222 | | QEKJ1HM-474 | E CAPACITOR 0.47μF,50V |
| C524 | | NDC21HG-301X | CAPACITOR 300pF,50V | C2223 | | QEKJ1HM-474 | E CAPACITOR 0.47μF,50V |
| C525 | | NDC21HG-301X | CAPACITOR 300pF,50V | C2224 | | NCB21HK-103X | CAPACITOR 0.01μF,50V |
| C526 | | NDC21HJ-101X | CAPACITOR 100pF,50V | C2225 | | QEKJ1HM-475 | E CAPACITOR 4.7μF,50V |
| C527 | | NDC21HJ-181X | CAPACITOR 180pF,50V | C2226 | | QEKJ1EM-106 | E CAPACITOR 10μF,25V |
| C528 | | NDC21HG-271X | CAPACITOR 270pF,50V | C2227 | | NCB21EK-104X | CAPACITOR 0.1μF,25V |
| C529 | | NDC21HG-820X | CAPACITOR 82pF,50V | C2251 | | QEKJ0JM-476 | E CAPACITOR 47μF,6.3V |
| C530 | | NDC21HG-221X | CAPACITOR 220pF,50V | C2252 | | NCB21HK-103X | CAPACITOR 0.01μF,50V |
| C531 | | NDC21HG-301X | CAPACITOR 300pF,50V | C2253 | | NCB21HK-103X | CAPACITOR 0.01μF,50V |
| C532 | | NDC21HG-301X | CAPACITOR 300pF,50V | C2254 | | NCB21HK-103X | CAPACITOR 0.01μF,50V |
| C533 | | NCB21HK-103X | CAPACITOR 0.01μF,50V | C3001 | | NCB21EK-104X | CAPACITOR 0.1μF,25V |
| C534 | | QEKJ0JM-476 | E CAPACITOR 47μF,6.3V | C3003 | | QEKJ1EM-106 | E CAPACITOR 10μF,25V |
| C535 | | NCB21HK-103X | CAPACITOR 0.01μF,50V | C3008 | | NCB21HK-102X | CAPACITOR 0.001μF,50V |
| C551 | | QERF1HM-105 | E CAPACITOR 1μF,50V | C3013 | | QEKJ1EM-106 | E CAPACITOR 10μF,25V |
| C552 | | NRSA02J-0R0X | MG RESISTOR 0Ω,1/10W | C3016 | | NDC21HJ-180X | CAPACITOR 18pF,50V |
| C553 | | NCB21HK-103X | CAPACITOR 0.01μF,50V | C3017 | | NDC21HJ-270X | CAPACITOR 27pF,50V |
| C555 | | NRSA02J-0R0X | MG RESISTOR 0Ω,1/10W | C3018 | | QAT3725-300Z | TRIM CAPACITOR |
| C557 | | QERF1HM-105 | E CAPACITOR 1μF,50V | C3019 | | NDC21HJ-6R0X | CAPACITOR 6pF,50V |
| C558 | | NRSA02J-0R0X | MG RESISTOR 0Ω,1/10W | C3020 | | NDC21HJ-180X | CAPACITOR 18pF,50V |
| C559 | | NCB21HK-103X | CAPACITOR 0.01μF,50V | C3022 | | NCB21EK-104X | CAPACITOR 0.1μF,25V |
| C560 | | QERF1HM-105 | E CAPACITOR 1μF,50V | C3023 | | NCF21CZ-105X | CAPACITOR 1μF,16V |
| C561 | | QERF1HM-105 | E CAPACITOR 1μF,50V | C3028 | | QETN0JM-108 | E CAPACITOR 1000μF,6.3V |
| C563 | | NCB21HK-103X | CAPACITOR 0.01μF,50V | C3035 | | NCB21EK-104X | CAPACITOR 0.1μF,25V |
| C567 | | NCB21HK-103X | CAPACITOR 0.01μF,50V | C3036 | | QERF0JM-107 | E CAPACITOR 100μF,6.3V |
| C901 | | QETN0JM-477 | E CAPACITOR 470μF,6.3V | C3048 | | NCB21HK-103X | CAPACITOR 0.01μF,50V |
| C904 | | NCB21HK-103X | CAPACITOR 0.01μF,50V | C4001 | | NCB21EK-104X | CAPACITOR 0.1μF,25V |
| C911 | | NRSA02J-0R0X | MG RESISTOR 0Ω,1/10W | C4002 | | QERF1HM-105 | E CAPACITOR 1μF,50V |
| C912 | | NCB21HK-103X | CAPACITOR 0.01μF,50V | C4004 | | QERF1AM-336 | E CAPACITOR 33μF,10V |
| C913 | | QETN0JM-477 | E CAPACITOR 470μF,6.3V | C4006 | | NCB21EK-563X | CAPACITOR 0.056μF,25V |
| C914 | | NRSA02J-0R0X | MG RESISTOR 0Ω,1/10W | C4007 | | NCB21HK-103X | CAPACITOR 0.01μF,50V |

| # | △ | REF No. | PART No. | PART NAME, DESCRIPTION | # | △ | REF No. | PART No. | PART NAME, DESCRIPTION | | | |
|---|---|---------|----------|------------------------|-------------|---|---------|----------|------------------------|-------------------------------|----------------------|--------------|
| | | | C4009 | NCB21HK-102X | CAPACITOR | | | L5301 | QQL01BJ-101Z | COIL | 100μH | |
| | | | C4010 | QERF0JM-476 | E CAPACITOR | | | L6001 | QQL29BK-1R0Z | COIL | 1.0μH | |
| | | | C4011 | NCB21CK-224X | CAPACITOR | | | L6003 | QQL29BK-1R0Z | COIL | 1.0μH | |
| | | | C4014 | NDC21HJ-101X | CAPACITOR | | | L6004 | QQL071J-1R0Y | COIL | 1.0μH | |
| | | | C4015 | NDC21HJ-101X | CAPACITOR | | | L6032 | QUY153-050Y | IM BUS WIRE | | |
| | | | C4019 | NCB21HK-103X | CAPACITOR | | | L6050 | QUY153-050Y | IM BUS WIRE | | |
| | | | C4022 | NDC21HJ-101X | CAPACITOR | | | L6501 | QQL29BJ-3R3Z | COIL | 3.3μH | |
| △ | | | C5001 | QFZ9073-683 | F CAPACITOR | | | X2 | QAX0575-001 | CRYSTAL RESONATOR | | |
| △ | | | C5004 | QCZ9071-222 | CAPACITOR | | | X3001 | QAX0526-001 | CRYSTAL RESONATOR | | |
| | | | C5006 | QEZ0424-686 | E CAPACITOR | | | X3002 | QAX0445-001 | CRYSTAL RESONATOR | | |
| | | | C5101 | QCZ0212-472 | CAPACITOR | | | S3001 | QSW0602-004 | PUSH SWITCH,REC SAFETY | | |
| | | | C5102 | QEMU1EM-396 | E CAPACITOR | | | S3002 | QSW0695-001 | PUSH SWITCH,S CASSETTE | | |
| | | | C5103 | QCZ0302-330Z | CAPACITOR | | | S7001 | QSW0456-002Z | TACT SWITCH,POWER | | |
| | | | C5104 | QFLC1HJ-471Z | F CAPACITOR | | | S7002 | QSW0456-002Z | TACT SWITCH,S VHS ET | | |
| | | | C5201 | QEMU0JM-227 | E CAPACITOR | | | S7004 | QSW0456-002Z | TACT SWITCH,REC | | |
| | | | C5202 | QEMT1CM-687 | E CAPACITOR | | | S7006 | QSW0456-002Z | TACT SWITCH,PAUSE | | |
| | | | C5203 | QEMT1AM-128 | E CAPACITOR | | | S7008 | QSW0456-002Z | TACT SWITCH,STOP/EJECT | | |
| | | | C5204 | QETJ2AM-475 | E CAPACITOR | | | S7010 | QSW0456-002Z | TACT SWITCH,PLAY | | |
| | | | C5205 | QETN1HM-106 | E CAPACITOR | | | S7012 | QSW0456-002Z | TACT SWITCH,EASY PROG. | | |
| | | | C5206 | QETN1AM-476 | E CAPACITOR | | | S7016 | QSW0456-002Z | TACT SWITCH,RECLINK | | |
| | | | C5207 | QETN1CM-107 | E CAPACITOR | | | K2251 | NRSA02J-0R0X | MG RESISTOR | 0Ω,1/10W | |
| | | | C5301 | QEKJ1CM-107 | E CAPACITOR | | | K2252 | NRSA02J-0R0X | MG RESISTOR | 0Ω,1/10W | |
| | | | C5302 | QEKJ1HM-106 | E CAPACITOR | | | K2253 | NRSA02J-0R0X | MG RESISTOR | 0Ω,1/10W | |
| | | | C5303 | QEKJ1CM-107 | E CAPACITOR | | | K5101 | QQR0678-001Z | FERRITE BEAD | | |
| | | | C5304 | NCB21HK-102X | CAPACITOR | | | K5102 | QUY153-050Y | IM BUS WIRE | | |
| | | | C5305 | QFV91HJ-473 | F CAPACITOR | | | PC3001 | GP3S123 | IC(PHOTO SENSOR) | | |
| | | | C5306 | QFV91HJ-683 | F CAPACITOR | | | PC3002 | GP3S123 | IC(PHOTO SENSOR) | | |
| | | | C5311 | NCB21HK-103X | CAPACITOR | | | △ | PC5101 | PS2561L1-1/WL/ | IC(PHOTO COUPLER) | |
| | | | C6029 | NRSA02J-0R0X | MG RESISTOR | | | T2051 | PELN0832 | OSC TRANSFORMER | | |
| | | | C6553 | QEKJ0JM-227 | E CAPACITOR | | | △ | T5001 | QQS0051-001 | SW TRANSFORMER | |
| | | | C7001 | QEKJ0JM-476 | E CAPACITOR | | | ET1 | LP30859-001A | EARTH PLATE | | |
| | | | C7002 | NCB21EK-104X | CAPACITOR | | | HD1 | PQ35479-1-4 | HOLDER(FDP),DI7001 | | |
| | | | C7003 | QETJ1AM-227 | E CAPACITOR | | | HS1 | LP40090-001A | HEAT SINK,IC5101 | | |
| | | | C7005 | NDC21HJ-470X | CAPACITOR | | | SD1 | LP30864-001A | SHIELD CASE(PRE) | | |
| | | | C7006 | NDC21HJ-330X | CAPACITOR | | | DI7001 | QLF0031-001 | FL TUBE | | |
| | | | C7007 | QEKJ1HM-106 | E CAPACITOR | | | TU6001 | QAU0238-001 | TUNER | | |
| | | | C7008 | NCB21HK-102X | CAPACITOR | | | OT1 | QYTDSF3010M | SCREW,X2 | | |
| | | | C7011 | QCFB1HZ-104 | CAPACITOR | | | OT2 | QYTDST3006Z | SCREW,IC5101 | | |
| | | | C7015 | QCFB1HZ-104 | CAPACITOR | | | J1 | QNN0380-002 | PIN JACK,REAR1 IN | | |
| | | | L1 | QQL29BJ-100Z | COIL | | | J2 | QNN0286-002 | PIN JACK,REAR OUT | | |
| | | | L2 | QQL29BJ-101Z | COIL | | | J4 | QND0076-001 | S JACK,REAR S IN | | |
| | | | L3 | QQL29BJ-100Z | COIL | | | J5 | QND0076-001 | S JACK,REAR S OUT | | |
| | | | L4 | QQL29BJ-100Z | COIL | | | J7101 | QNN0383-002 | PIN JACK, FRONT IN | | |
| | | | L5 | QQL29BJ-100Z | COIL | | | TB1 | LP20887-007A | TERMINAL BOARD | | |
| | | | L11 | QQL01BJ-120Z | COIL | | | FC5001 | QNG0006-001Z | FUSE CLIP,F5001 | | |
| | | | L13 | QQL231J-101Y | COIL | | | FC5002 | QNG0006-001Z | FUSE CLIP,F5001 | | |
| | | | L15 | QQL29BJ-100Z | COIL | | | FW3001 | QUM022-13A4A4 | P.R.WIRE,R.PAUSE | | |
| | | | L18 | QUY153-050Y | IM BUS WIRE | | | △ | LF5002 | QQR0532-001 | LINE FILTER | |
| | | | L19 | QQL29BJ-100Z | COIL | | | CN1 | QGF1028C1-11 | FPC CONNECTOR,(1-11)U.DRUM | | |
| | | | L20 | QQL231J-101Y | COIL | | | CN2001 | QGF1207C1-07 | FPC CONNECTOR,(1-7)A/C HEAD | | |
| | | | L28 | QQL231J-150Y | COIL | | | CN2002 | QGB2532J1-02 | CONNECTOR,(1-2)FE HEAD | | |
| | | | L201 | QUY153-050Y | IM BUS WIRE | | | CN3001 | QGB2015M2-08 | CONNECTOR,(1-8)CAPSTAN MOTOR | | |
| | | | L203 | QQL231J-3R3Y | COIL | | | CN3002 | QGF1207C1-05 | FPC CONNECTOR,(1-5)DRUM MDA | | |
| | | | L501 | QQL29BJ-100Z | COIL | | | CN3003 | QGB2532J1-02 | CONNECTOR,(1-2)LOADING MOTOR | | |
| | | | L503 | QQL29BJ-100Z | COIL | | | CN3004 | QGB2534J2-04 | CONNECTOR,(1-4)ROTARY ENCODER | | |
| | | | L504 | QQL29BJ-100Z | COIL | | | △ | CN5001 | QGA7901C3-02 | CONNECTOR,(1-2)AC IN | |
| | | | L901 | QQL29BJ-101Z | COIL | | | CN7001 | QGF1207C1-09 | FPC CONNECTOR,(1-9)ADV.JOG | | |
| | | | L2001 | QUY153-050Y | IM BUS WIRE | | | CN7103 | QGF1207C1-04 | FPC CONNECTOR,(1-4),S JACK | | |
| | | | L2251 | QQL29BJ-100Z | COIL | | | △ | CP4001 | ICP-N25 | CIRCUIT PROTECTOR | |
| | | | L4001 | QUY153-050Y | IM BUS WIRE | | | △ | CP5302 | ICP-N25 | CIRCUIT PROTECTOR | |
| | | | L5201 | PELN1184 | COIL | | | △ | F5001 | QMF51E2-2R0J1 | FUSE | T2.0A,AC250V |
| | | | L5202 | PELN1184 | COIL | | | | | | | |

▲ REF No. PART No. PART NAME, DESCRIPTION

▲ REF No. PART No. PART NAME, DESCRIPTION

DEMODO BOARD ASSEMBLY <14>

| | | | |
|--------|---------------|-------------------|--------------|
| PW1 | LPA10094-06B | DEMODO BOARD ASSY | |
| IC6701 | MSP3417D | IC | |
| | or MSP3417DG3 | IC | |
| Q6701 | 2SC3936/BC/-X | TRANSISTOR | |
| D6701 | 1SS133 | DIODE | |
| | or 1N4148M | DIODE | |
| R6701 | NRSA02J-392X | MG RESISTOR | 3.9kΩ,1/10W |
| R6702 | NRSA02J-682X | MG RESISTOR | 6.8kΩ,1/10W |
| R6703 | NRSA02J-470X | MG RESISTOR | 47Ω,1/10W |
| R6704 | NRSA02J-102X | MG RESISTOR | 1kΩ,1/10W |
| R6705 | NRSA02J-271X | MG RESISTOR | 270Ω,1/10W |
| R6706 | NRSA02J-101X | MG RESISTOR | 100Ω,1/10W |
| R6707 | NQR0200-003X | FERRITE BEAD | |
| R6708 | NQR0200-003X | FERRITE BEAD | |
| R6709 | NQR0200-003X | FERRITE BEAD | |
| R6710 | NQR0200-003X | FERRITE BEAD | |
| R6711 | NRSA02J-684X | MG RESISTOR | 680kΩ,1/10W |
| R6712 | NRSA02J-102X | MG RESISTOR | 1kΩ,1/10W |
| R6714 | NRSA02J-102X | MG RESISTOR | 1kΩ,1/10W |
| R6716 | NQR0200-003X | FERRITE BEAD | |
| R6719 | QRE141J-103Y | RESISTOR | 10kΩ,1/4W |
| R6720 | NRSA02J-562X | MG RESISTOR | 5.6kΩ,1/10W |
| R6721 | NRSA02J-562X | MG RESISTOR | 5.6kΩ,1/10W |
| C6701 | NCB21HK-103X | CAPACITOR | 0.01μF,50V |
| C6704 | NCB21HK-103X | CAPACITOR | 0.01μF,50V |
| C6705 | NCB21HK-102X | CAPACITOR | 0.001μF,50V |
| C6707 | NDC21HJ-470X | CAPACITOR | 47pF,50V |
| C6708 | NDC21HJ-7R0X | CAPACITOR | 7pF,50V |
| C6709 | NDC21HJ-3R0X | CAPACITOR | 3pF,50V |
| C6713 | NCF21CZ-224X | CAPACITOR | 0.22μF,16V |
| C6714 | NCB21HK-222X | CAPACITOR | 0.0022μF,50V |
| C6715 | QEKJ1HM-225 | E CAPACITOR | 2.2μF,50V |
| C6716 | NCB21HK-222X | CAPACITOR | 0.0022μF,50V |
| C6717 | QEKJ1HM-225 | E CAPACITOR | 2.2μF,50V |
| C6719 | QEKJ1EM-106 | E CAPACITOR | 10μF,25V |
| C6720 | QEKJ1EM-106 | E CAPACITOR | 10μF,25V |
| C6721 | NCB21HK-103X | CAPACITOR | 0.01μF,50V |
| C6723 | NCB21HK-102X | CAPACITOR | 0.001μF,50V |
| L6701 | QUY153-050Y | IM BUS WIRE | |
| L6702 | QQL231J-3R3Y | COIL | 3.3μH |
| X6701 | QAX0443-001 | CRYSTAL RESONATOR | |
| K6701 | NRSA02J-330X | MG RESISTOR | 33Ω,1/10W |
| K6702 | NQR0200-003X | FERRITE BEAD | |
| K6703 | NRSA02J-102X | MG RESISTOR | 1kΩ,1/10W |
| K6704 | NRSA02J-102X | MG RESISTOR | 1kΩ,1/10W |
| K6705 | NRSA02J-100X | MG RESISTOR | 10Ω,1/10W |
| K6706 | NRSA02J-470X | MG RESISTOR | 47Ω,1/10W |
| BK1 | LP40425-001A | BRACKET(BOARD) | |
| CN6701 | QGG2502K1-10 | HEADER PIN | |